

Fuel Pump 7506599



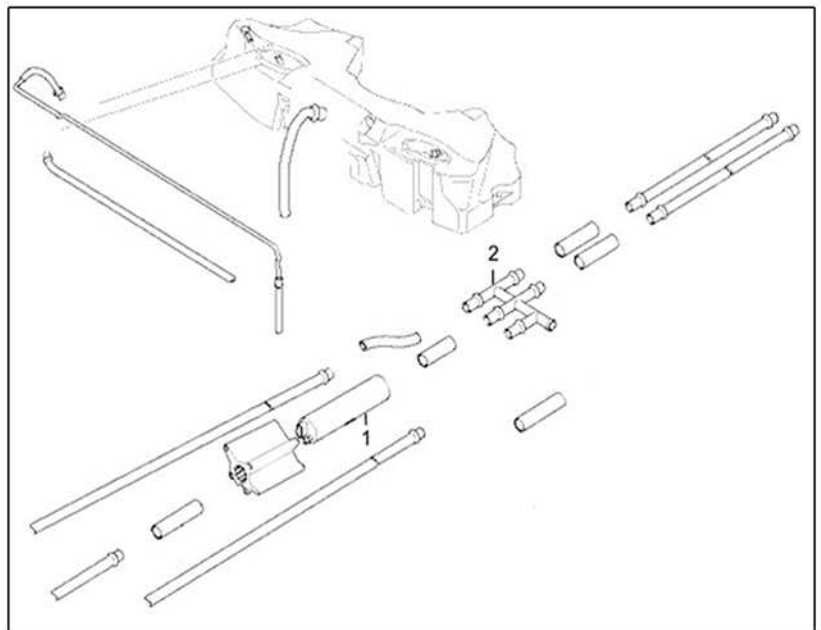
Fuel pump **7506599** (figure 1) is fitted on **BMW** and **LAND ROVER** cars. Sometimes, once installed, the pump could produce noise. The first thing you need to know is that the noise issue is most likely a result of a pump working in improper conditions. If this problem is encountered, you need to:

Check that inside the tank, the fuel hoses are free from obstructions. If there is a pre-pump inside the tank, always check that it is functioning properly.

Check the external hoses for accumulations of dirt in the 5 way joint (figure 2) and that the fuel hoses are properly connected (as shown in the original scheme).

Check that the CR pump over flow valve is not blocked by dirt. Then, verify that the filter located at the fuel entrance of the CR pump is not blocked either. This may increase the pressure excessively and overload the fuel pump.

Verify the fastening of the pump itself to the chassis of the car, trying to eliminate any type of vibration. These vibrations, due to the position of the pump under the vehicle, may cause resonance and the fault may be **wrongly** attributed to the fuel pump.



BMW LAND ROVER APPLICATIONS